



*Japan Marina Co., Ltd.*

*Marine Electronics Products*

**Product Specifications**

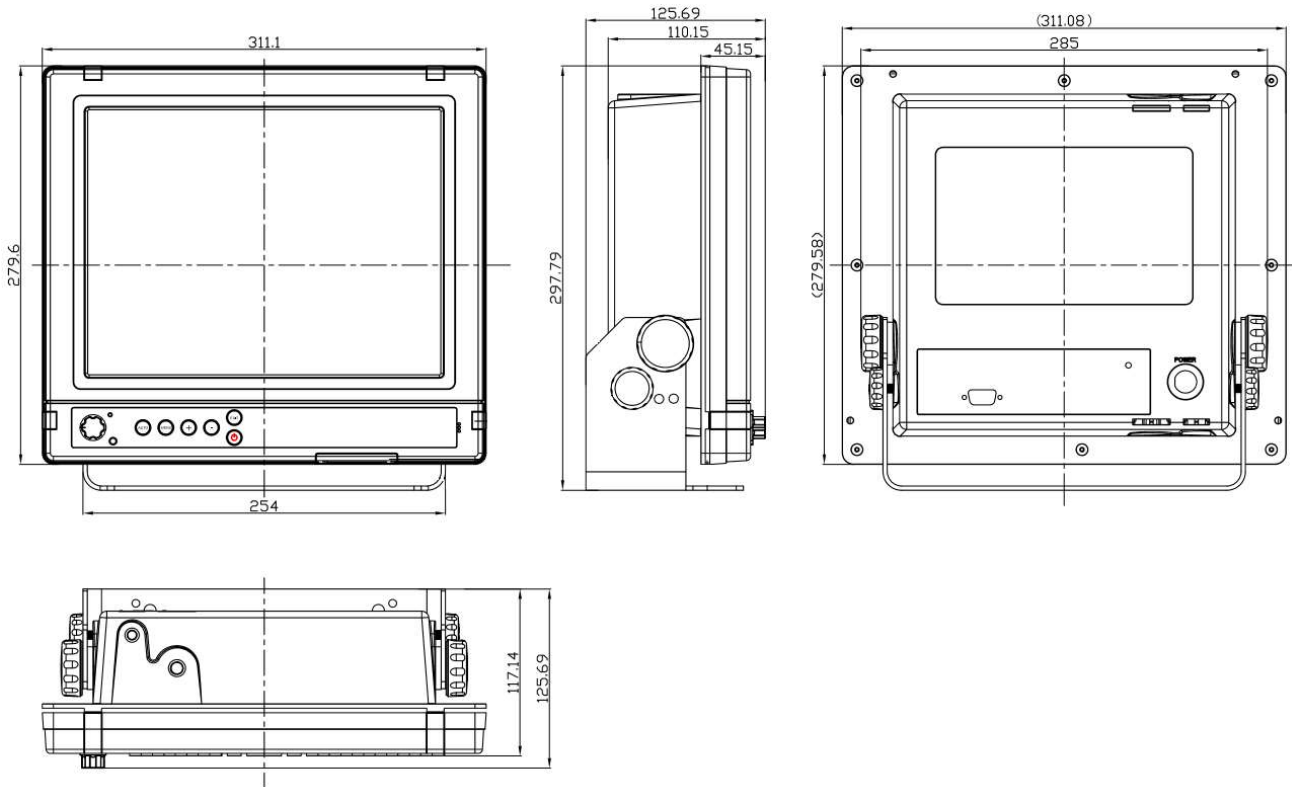
sales@japan-marina.co.jp

## 12-inch Marine Monitor / MODEL MM-12C



- Display Screen : 12-inch (248x186 mm) TFT LCD
- Backlighting Source : White LEDs
- Backlighting Level : Continuously adjustable, compliant with IEC 62288
- Display Color : Up to 16.7M colors
- Graphic Resolution : VGA (640x480), SVGA(800x600), XGA(1024x768), automatic synchronization
- Image Positioning : Automatic or manual adjustment (via menu)
- White Luminance : 450 cd/m2 maximum
- Contrast Ratio : 1000:1
- Viewing Angle : 170 degree/horizontal, 160 degree/vertical
- Hardware Interface : Analog VGA (15-pin D-sub connector)
- Power Requirements
  - Input Voltage : 12 to 36 VDC, floating ground, reverse polarity-protected
  - Current Drain : Approx. 1.4A/12 VDC, 0.7A/24 VDC (with max. brightness level)
- Environmental Conditions
  - Operating : -15 to 55°C, 95% RH, without condensation
  - Storage : -20 to 60°C
  - Waterproofing : IPX4 (protected equipment category/IEC 60945)
- Weight : Approx. 2.7 kg/Cabinet, 0.8 kg/Mounting Bracket

● Outer Dimension



Japan Marina Co., Ltd.  
36-2-1001 Udagawa-cho, Shibuya-ku, Tokyo 150-0042 Japan  
Tel: + 81-3-3461-3606 Fax: + 81-3-3496-2078